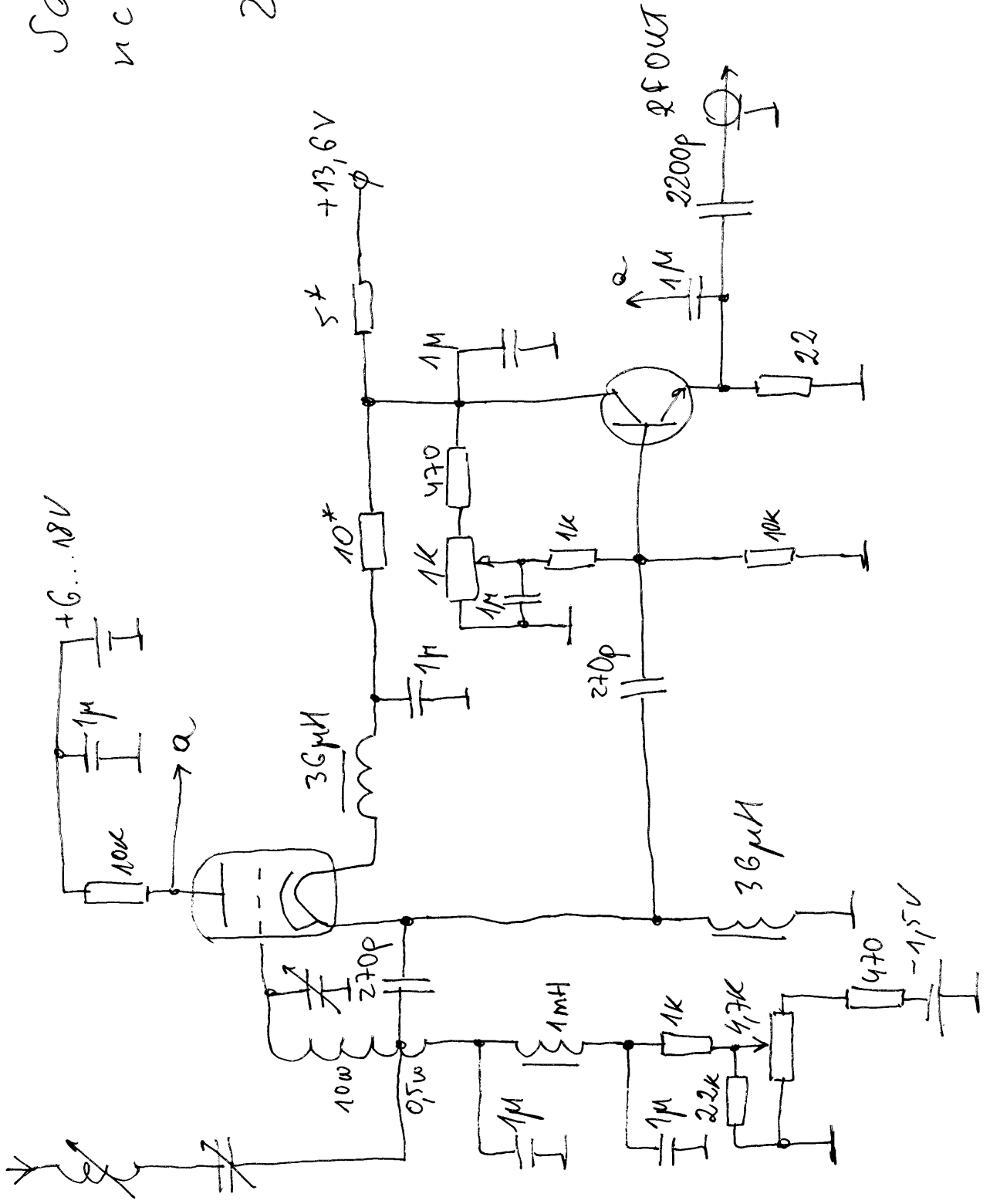


Q-multip_combo_2007_10-12



Saubun
 ncss @ jplius.4
 TC4B
 2T909A